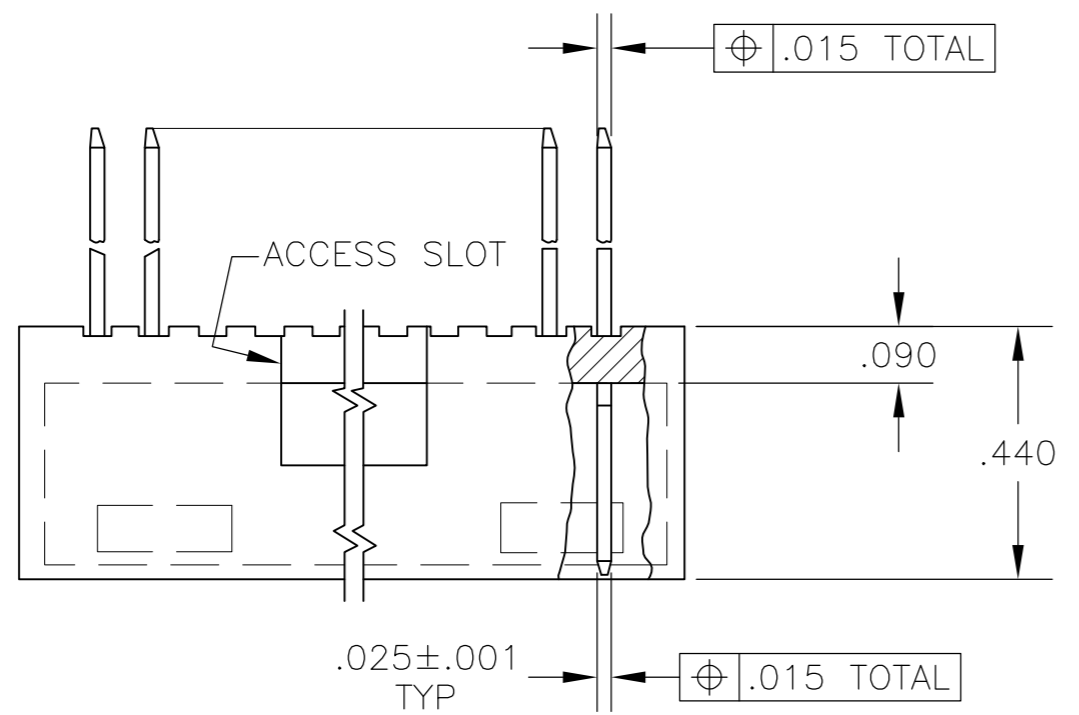
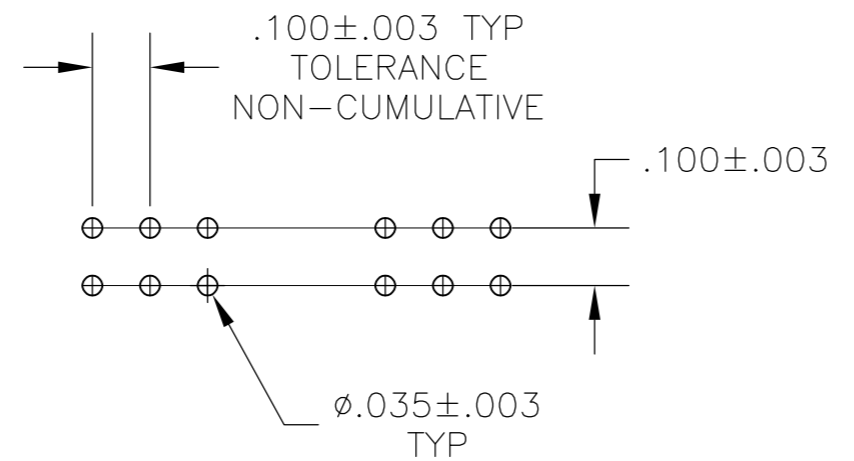
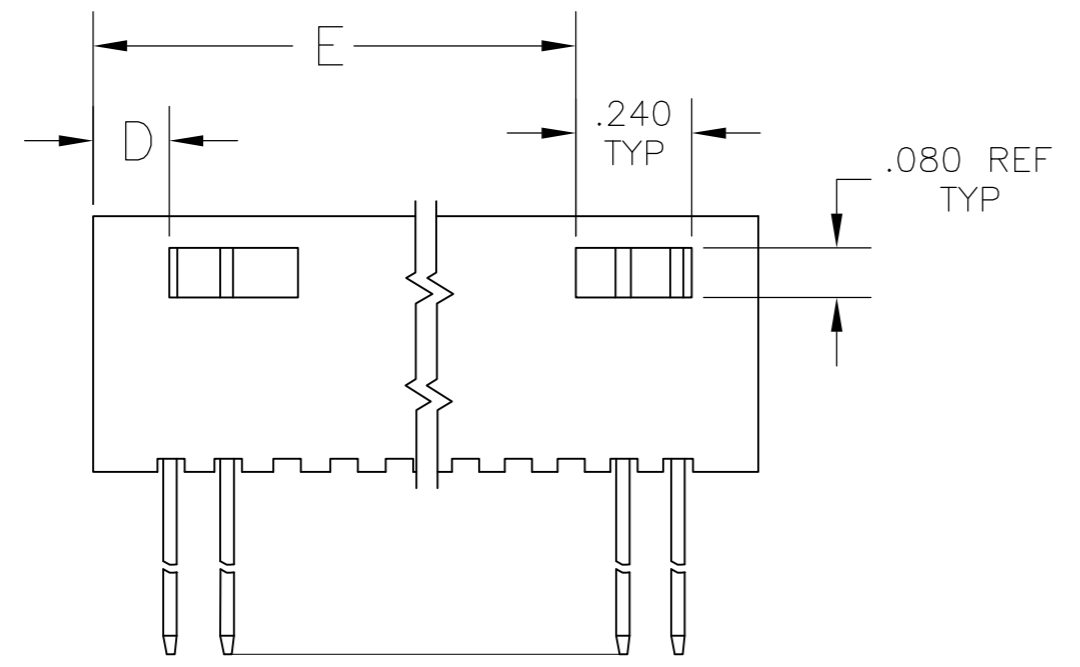
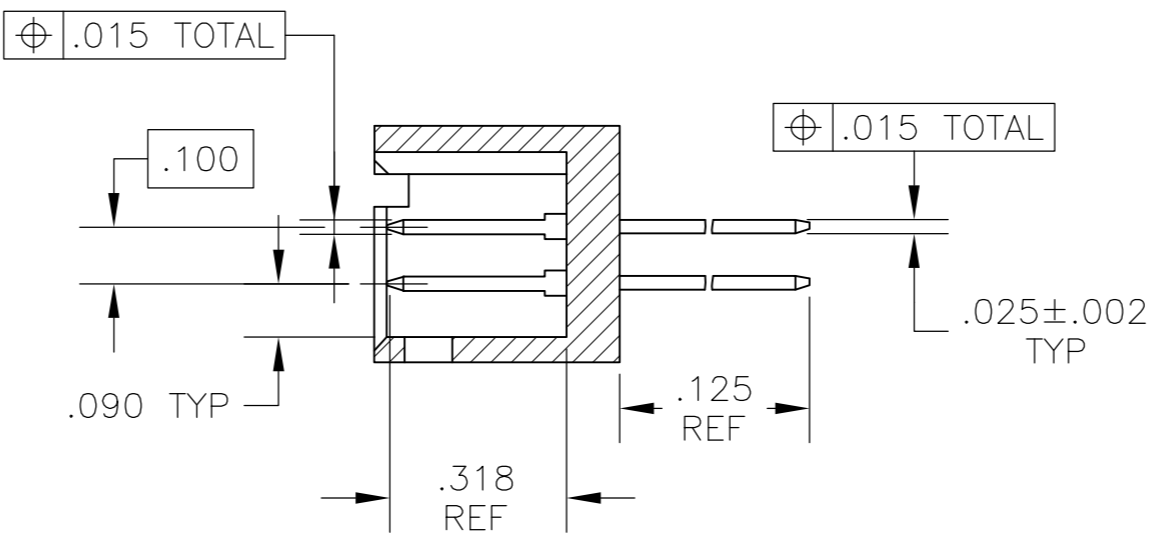
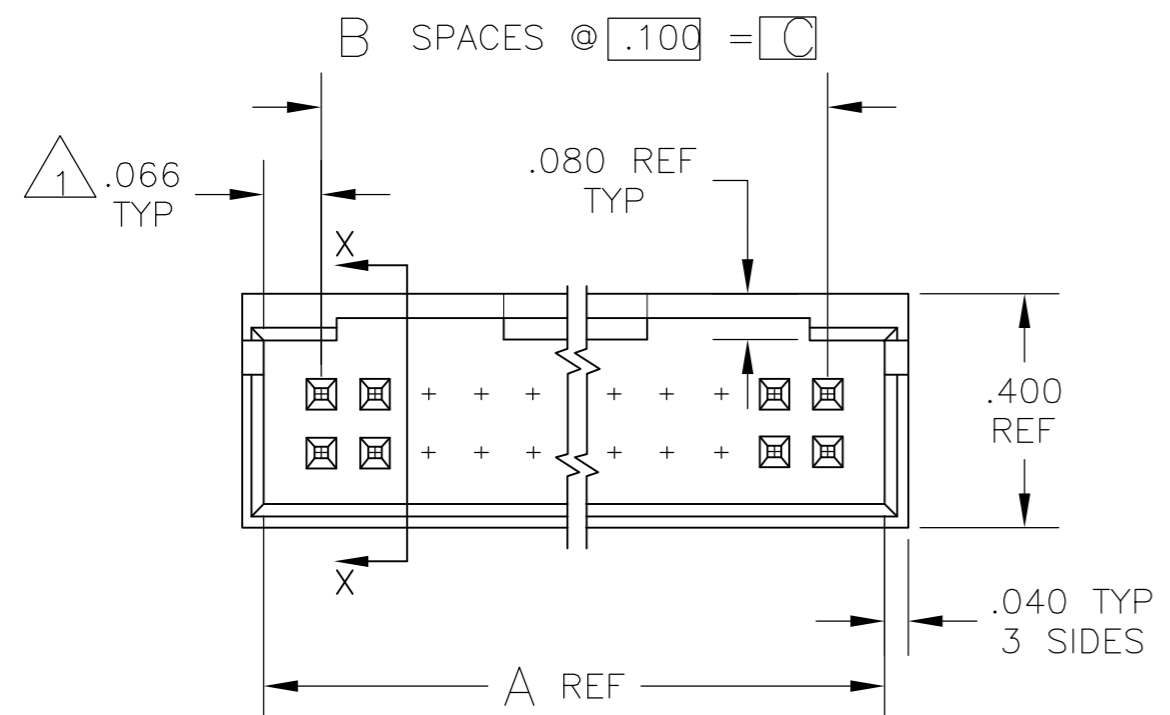


THIS DRAWING IS UNPUBLISHED. RELEASED FOR PUBLICATION
 © COPYRIGHT - By - ALL RIGHTS RESERVED.

LOC		DIST		REVISIONS			
P	LTR	DESCRIPTION	DATE	DWN	APVD		
		R2	REVISED PER ECO-11-004587	11MAR11	RK	HMR	



- 1 WILL ALSO MATE W/OTHER CONNECTORS WHICH ARE COMPATIBLE WITH THE $.006$ END DIM.
- 2 OBSOLETE PART NUMBER.
- 3 $.000100$ -. 000200 BRIGHT TIN-LEAD OVER $.000050$ NICKEL
- 4 $.000100$ -. 000200 BRIGHT TIN OVER $.000050$ -. 000100 NICKEL
- 5 PRELIMINARY PART.
- 6 $.000100$ -. 000200 MATTE TIN OVER $.000050$ -. 000100 NICKEL
- 7 OBSOLETE PARTS: OBSOLETE CIS STREAMLINING PER D.RENAUD/D.SINISI



THIS DRAWING IS A CONTROLLED DOCUMENT.		DWN	12 SEP 75		TE Connectivity		
DIMENSIONS: INCHES		CHK	12 SEP 75		NAME		
TOLERANCES UNLESS OTHERWISE SPECIFIED:		APVD	15 SEP 75		HEADER ASSEMBLY MOD II, $.100$ C/L $.025$ SQUARE POST, WITH DETENT		
0 PLC \pm - 1 PLC \pm - 2 PLC \pm - 3 PLC \pm $.005$ 4 PLC \pm - ANGLES \pm -		PRODUCT SPEC		SIZE	CAGE CODE	DRAWING NO	RESTRICTED TO
MATERIAL: HSG: GLASS FILLED NYLON, COLOR: BLACK, CONTACT: PHOS BRONZE		FINISH: SEE TABLE		WEIGHT	A2	00779	C=87589
CUSTOMER DRAWING				SCALE	3:1	SHEET	1 of 2
				REV		R2	

THIS DRAWING IS UNPUBLISHED. RELEASED FOR PUBLICATION
 © COPYRIGHT - By - ALL RIGHTS RESERVED.

LOC		DIST		REVISIONS				
AD	00	P	LTR	DESCRIPTION	DATE	DWN	APVD	
		-		SEE SHEET 1	-	-	-	

-	.106	.200	2	.332	6	8-87589-6
-	.106	.300	3	.432	8	8-87589-5
3.506	.106	3.600	36	3.732	74	8-87589-3
3.406	.106	3.500	35	3.632	72	8-87589-2
3.306	.106	3.400	34	3.532	70	8-87589-1
3.206	.106	3.300	33	3.432	68	8-87589-0
3.106	.106	3.200	32	3.332	66	7-87589-9
3.006	.106	3.100	31	3.232	64	7-87589-8
2.906	.106	3.000	30	3.132	62	7-87589-7
2.806	.106	2.900	29	3.032	60	7-87589-6
2.706	.106	2.800	28	2.932	58	7-87589-5
2.606	.106	2.700	27	2.832	56	7-87589-4
2.506	.106	2.600	26	2.732	54	7-87589-3
2.406	.106	2.500	25	2.632	52	7-87589-2
2.306	.106	2.400	24	2.532	50	7-87589-1
2.206	.106	2.300	23	2.432	48	7-87589-0
2.106	.106	2.200	22	2.332	46	6-87589-9
2.006	.106	2.100	21	2.232	44	6-87589-8
1.906	.106	2.000	20	2.132	42	6-87589-7
1.806	.106	1.900	19	2.032	40	6-87589-6
1.706	.106	1.800	18	1.932	38	6-87589-5
1.606	.106	1.700	17	1.832	36	6-87589-4
1.506	.106	1.600	16	1.732	34	6-87589-3
1.406	.106	1.500	15	1.632	32	6-87589-2
1.306	.106	1.400	14	1.532	30	6-87589-1
1.206	.106	1.300	13	1.432	28	6-87589-0
1.106	.106	1.200	12	1.332	26	5-87587-9
1.006	.106	1.100	11	1.232	24	5-87589-8
.906	.106	1.000	10	1.132	22	5-87589-7
.806	.106	.900	9	1.032	20	5-87589-6
-	.406	.800	8	.932	18	5-87589-5
-	.306	.700	7	.832	16	5-87589-4
-	.306	.600	6	.732	14	5-87589-3
-	.206	.500	5	.632	12	5-87589-2
-	.206	.400	4	.532	10	5-87589-1
FINISH	E	D	C	B	A	NO OF POSN. PART NO.

5	4	1.306	.106	1.400	14	1.532	30	3-87589-9
4	4	-	.406	.800	8	.932	18	3-87589-8
4	4	-	.306	.700	7	.832	16	3-87589-7
		-	.106	.200	2	.332	6	3-87589-6
		-	.106	.300	3	.432	8	3-87589-5
		3.506	.106	3.600	36	3.732	74	3-87589-3
		3.406	.106	3.500	35	3.632	72	3-87589-2
		3.306	.106	3.400	34	3.532	70	3-87589-1
		3.206	.106	3.300	33	3.432	68	3-87589-0
		3.106	.106	3.200	32	3.332	66	2-87589-9
		3.006	.106	3.100	31	3.232	64	2-87589-8
		2.906	.106	3.000	30	3.132	62	2-87589-7
		2.806	.106	2.900	29	3.032	60	2-87589-6
		2.706	.106	2.800	28	2.932	58	2-87589-5
		2.606	.106	2.700	27	2.832	56	2-87589-4
		2.506	.106	2.600	26	2.732	54	2-87589-3
		2.406	.106	2.500	25	2.632	52	2-87589-2
		2.306	.106	2.400	24	2.532	50	2-87589-1
		2.206	.106	2.300	23	2.432	48	2-87589-0
		2.106	.106	2.200	22	2.332	46	1-87589-9
		2.006	.106	2.100	21	2.232	44	1-87589-8
		1.906	.106	2.000	20	2.132	42	1-87589-7
		1.806	.106	1.900	19	2.032	40	1-87589-6
		1.706	.106	1.800	18	1.932	38	1-87589-5
		1.606	.106	1.700	17	1.832	36	1-87589-4
		1.506	.106	1.600	16	1.732	34	1-87589-3
		1.406	.106	1.500	15	1.632	32	1-87589-2
		1.306	.106	1.400	14	1.532	30	1-87589-1
		1.206	.106	1.300	13	1.432	28	1-87589-0
		1.106	.106	1.200	12	1.332	26	87587-9
		1.006	.106	1.100	11	1.232	24	87589-8
		.906	.106	1.000	10	1.132	22	87589-7
		.806	.106	.900	9	1.032	20	87589-6
		-	.406	.800	8	.932	18	87589-5
		-	.306	.700	7	.832	16	87589-4
		-	.306	.600	6	.732	14	87589-3
		-	.206	.500	5	.632	12	87589-2
		-	.206	.400	4	.532	10	87589-1
FINISH	E	D	C	B	A	NO OF POSN.	PART NO.	

OBSOLETE

OBSOLETE

OBSOLETE

OBSOLETE

OBSOLETE

OBSOLETE

OBSOLETE

OBSOLETE

SUPERCEDED BY 6-87589-4

OBSOLETE

OBSOLETE

OBSOLETE

OBSOLETE

THIS DRAWING IS A CONTROLLED DOCUMENT.

DWN	12 SEP 75
CHK	12 SEP 75
APVD	15 SEP 75
PRODUCT SPEC	
APPLICATION SPEC	
WEIGHT	-
CUSTOMER DRAWING	

DIMENSIONS: INCHES

TOLERANCES UNLESS OTHERWISE SPECIFIED:

0 PLC	± -
1 PLC	± -
2 PLC	± -
3 PLC	± .005
4 PLC	± -
ANGLES	± -

MATERIAL: HSG: GLASS FILLED NYLON
COLOR: BLACK
CONTACT: PHOS BRONZE

FINISH: SEE TABLE

STE TE Connectivity

NAME: HEADER ASSEMBLY MOD II, .100 C/L
.025 SQUARE POST, WITH DETENT

SIZE: A2 CAGE CODE: 00779 DRAWING NO: C-87589 RESTRICTED TO: -

SCALE: 1:1 SHEET: 2 of 2 REV: R2